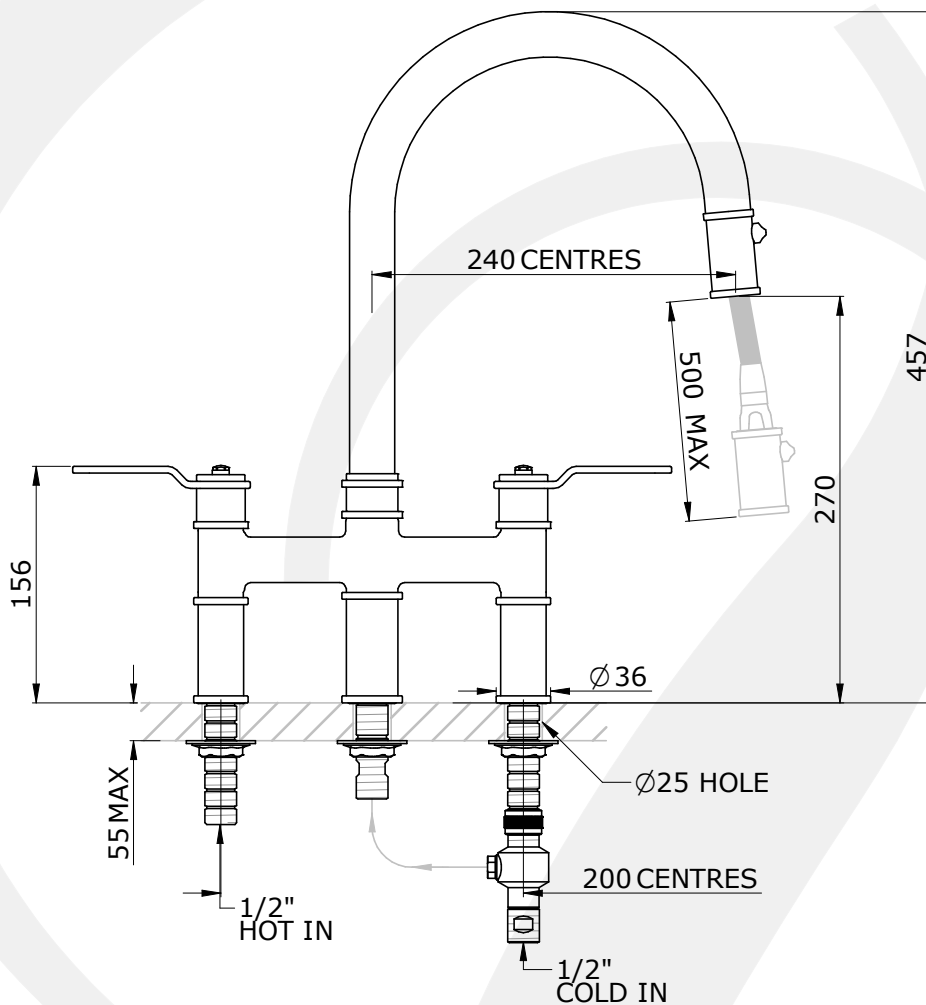


• SPECIFICATION •

• 4549/HS - INDUSTRIAL BRIDGE PULLDOWN WITH HANDLE SMOOTH WITH HANDLE SMOOTH

- HANDCRAFTED IN THE UK
- 1/4 TURN CERAMIC DISC FLOW CONTROL
- RETRACTABLE PULL-DOWN BRASS HANDSPRAY
- DUAL SPRAY WITH AUTOMATIC LOCK
- EASYCLEAN SPRAY NOZZLES
- AUTO RESET DIVERTER FUNCTION
- SUPPLIED WITH 15MM DOUBLE CHECK VALVES
- IDEALLY INSTALLED IN EQUAL PRESSURE SYSTEMS



AVAILABLE FINISHES:

- CHROME
- NICKEL
- PEWTER
- POLISHED BRASS
- SATIN BRASS
- AGED BRASS
- GOLD
- ENGLISH BRONZE

• TEMP RANGE:
MIN 1°C / 34°F
MAX 70°C / 158°F

• RECOMMENDED
SUPPLY PRESSURE:
MIN 1BAR / 15PSI
MAX 5BAR / 75PSI

• PACKED WEIGHT:
5.3KG

AVAILABLE OPTIONS:

- TEXTURED LEVER VARIANT
- NON PULL-DOWN VERSIONS
- 6.6L/MIN REGULATED SPOUT (PREFIX AR.)

FLOW RATES:

- 1 BAR: 3.3 L/MIN
- 2 BAR: 5.0 L/MIN
- 3 BAR: 6.5 L/MIN